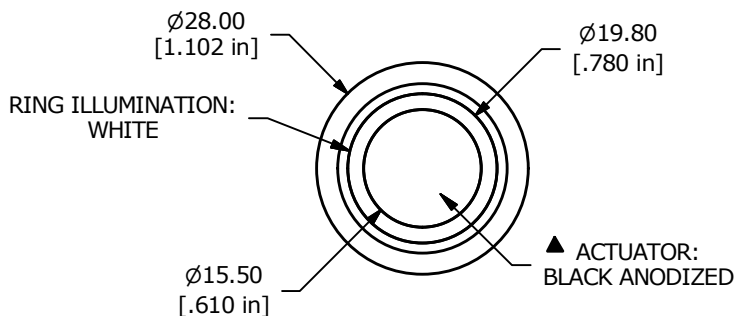
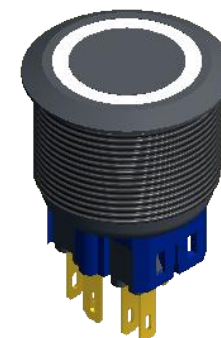


PANEL CUTOUT
MAX. PANEL THICKNESS 10mm



RING ILLUMINATION:
WHITE

▲ ACTUATOR:
BLACK ANODIZED



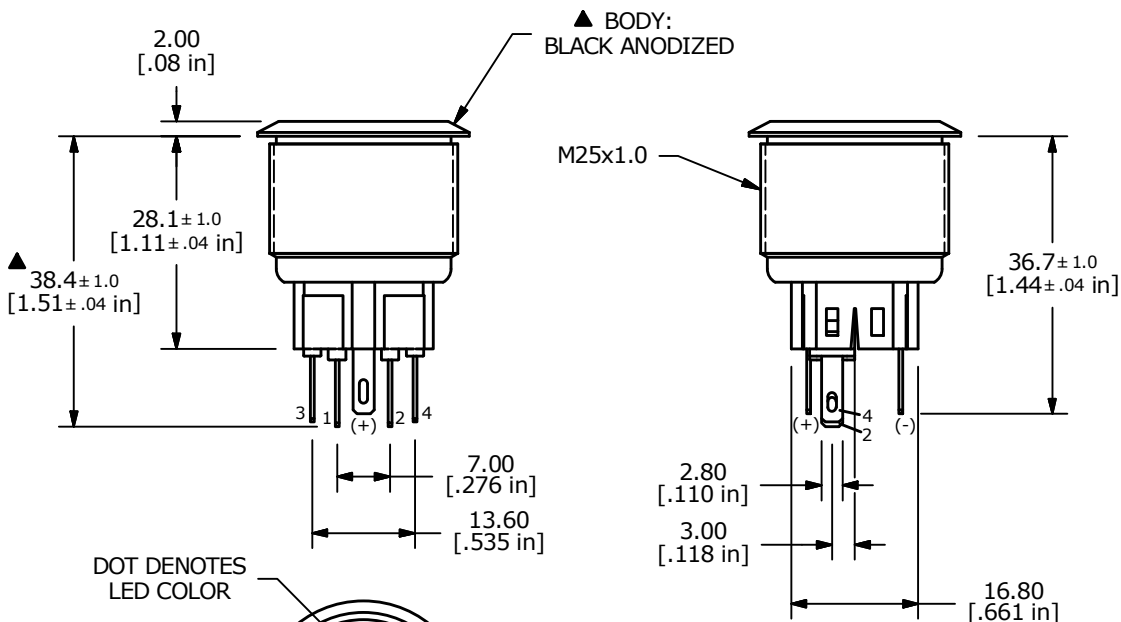
SWITCH FUNCTION	
POS. 1	POS. 2 (MOM)
1-2	(3-4)

() = MOMENTARY



3 0 0 4
WHITE (FORWARD)
(+) (-)
WHITE (REVERSE)

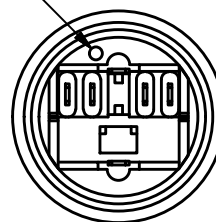
▲ SPDT ON-(OFF) / OFF-(ON)
CONTACT CONFIGURATION



▲ BODY:
BLACK ANODIZED

M25x1.0

DOT DENOTES
LED COLOR



NOTE:

1. ALL DIMENSIONS IN MM [INCH]
2. GENERAL TOLERANCE: X.X = ± 0.4
X.XX = ± 0.25
3. TERMINAL NOS. FOR REF. ONLY
- ▲ 4. RATING: 2A @ 48VDC
5. CONTACT RESISTANCE: 50mΩ MAX. @ 1A 12VDC
6. INSULATION RESISTANCE: 1,000MΩ @ 500VDC
7. DIELECTRIC STRENGTH: 2,000VAC MIN. FOR 1 MINUTE
8. ELECTRICAL LIFE: 50,000 CYCLES
9. OPERATING TEMPERATURE: -20°C TO 70°C
10. INGRESS PROTECTION: IP65
11. SUPPLIED HARDWARE: O-RING AND HEXNUT
12. ▲ DENOTES CRITICAL PARAMETER
13. 2011/65/EU (ROHS) COMPLIANT
- ▲ 14. ILLUMINATION VOLTAGE: 12V



A	22398	NEW RELEASE	7/19/16	MJR
REV	PCR NO	DESCRIPTION	DATE	BY

TITLE	PV8F2Y011-304			
SCALE	DATE	DR	DWG	REV

SCALE	DATE	DR	DWG	REV
1:1	7/19/2016	MJR	52-PV8F2Y011304	A

THE INFORMATION CONTAINED IN THIS DOCUMENT IS PROPRIETARY TO E-SWITCH AND IS NOT TO BE COPIED OR TRANSFERRED